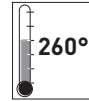


# Detector Switches



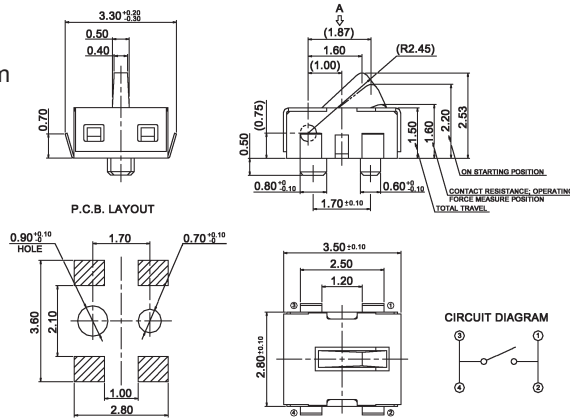
## Specifications:

|                        |  |
|------------------------|--|
| Contact rating:        | 5 V DC, 1 mA (DTS 226 C-T: 10 mA)  |
| Contact resistance:    | < 2 Ω  |
| Insulation resistance: | > 100 MΩ   |
| Dielectric strength:   | 100 V, 50 Hz for the duration of 1 minute  |
| Operating temperature: | -40 °C to +85 °C   |
| Operating force:       | < 0.5 N  |
| Mechanical life:       | minimum 100 000 operations (DTS 226 C-T: 50 000)   |
| Material:              | Contacts: phosphor-bronze, silver-plated<br>Terminals: brass (DTS 226 C-T: phosphor bronze), silver-plated<br>Case and actuator: LCP |

## Models: Switching functions

DTS 201 C P-T

off – mom



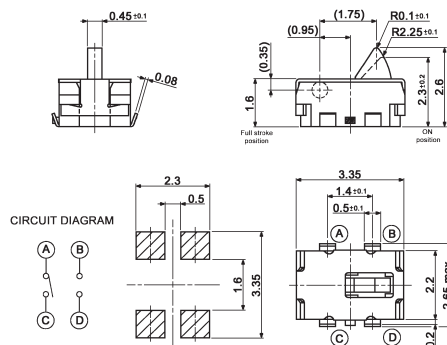
DTS 01

off – mom as above, but without posts



DTS 226 C-T

off – mom



Packing: 2600 pcs/reel (DTS 226 C-T: 3000 pcs/reel)